

Version	2.0	Date	8/9/18
Prepared By	JC		

PRODUCT SPECIFICATION

Category	Slim Canopy
Item Number	7471
Stock Code	LED-FXSCM42/50K/BK
Mounting	Ceiling
Housing Color	Black



ELECTRICAL CHARACTERISTICS			
Rated Wattage (W)	42	Replacement Wattage (W)	175
Tested Wattage (W)	41.42		
Input Voltage (V)	120-277V	Surge Protect Level	2KV
Voltage Frequency (Hz)	50/60	Dimmable	1-10V
Input Current (A)	0.36	AUX (12V) Line	
Power Factor	>0.9		
THD	<20%		

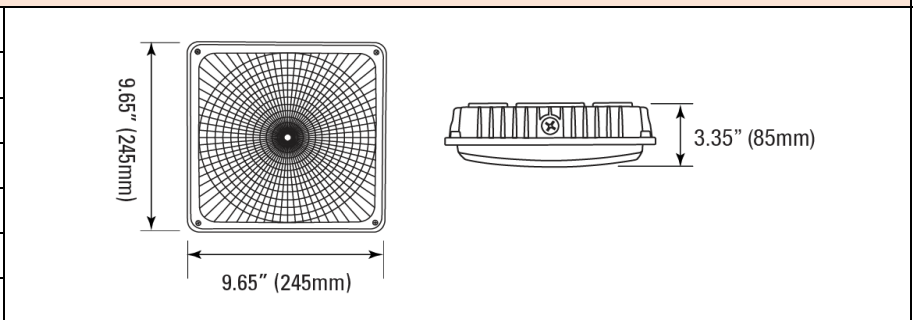
PHOTOMETRIC CHARACTERISTICS			
Lumen (lm)	4,682	CCT (K)	5000K
Efficacy (lm/w)	113	Beam Angle (°)	160°
CRI	>70		

GENERAL CHARACTERISTICS	
Operating Temperature (°F)	-22°F ~ 131°F
Storage Temperature (°F)	-40°F ~ 140°F
IP Rating	IP65
Rated Life (Hrs)	50,000
Warranty (Yrs)	5

ACCESSORIES		
Item #	Stock Code	Description
P10234	SEN-MC605V-D	Motion Sensor

PRODUCT DIMENSIONS

Width- in / (mm)	9.65" / 245
Height- in / (mm)	3.35" / 85
Depth- in / (mm)	9.65" / 245
EPA (ft²)	-
Weight (lbs)	4.5
Mounting Height (ft)	-
Cable Length (ft)	-



CERTIFICATIONS			
UL/ETL	ETL	CEC	
NSF/ETL Sanitation		JA8	
Energy Star		FCC	✓
DLC		RoHs	✓

DOCUMENTS			
LM79	✓	IES File	✓
LM80	✓	Dimmer List	

COMMENTS

--